

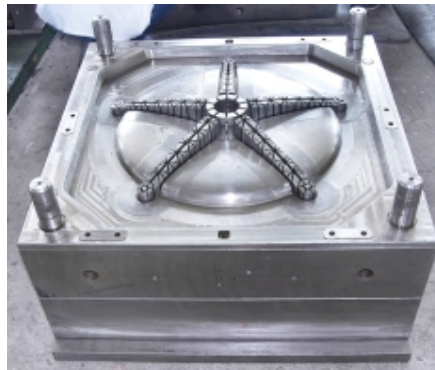
MICON MOULD

Professional Plastic Chair Mould Maker



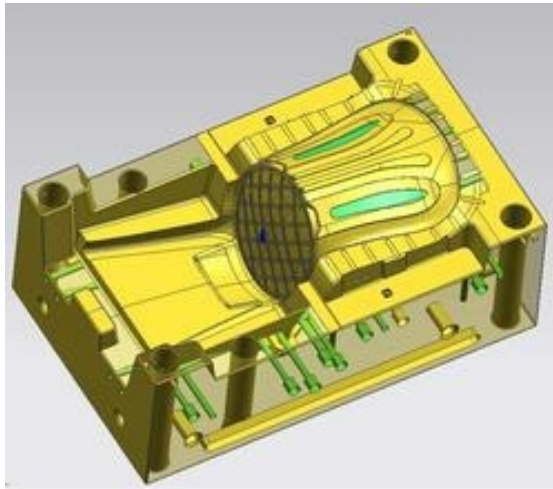
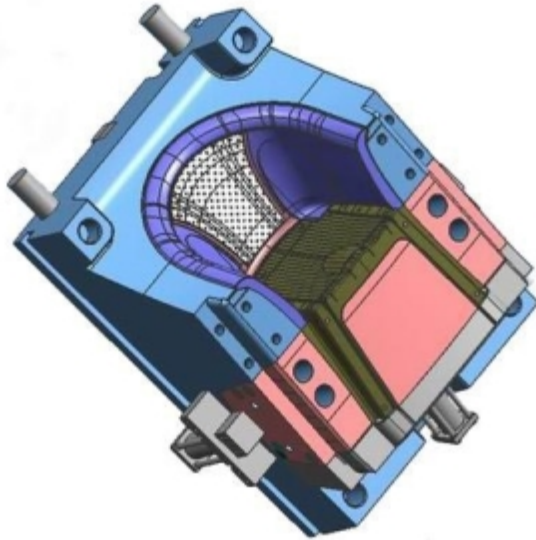
Plastic Chair Mould

We make all kinds of standard or child chair and stool injection mould, table mould



- Standard chair mould
- PP, PC chair mould
- Armchair mould
- Plastic stool mould
- Plastic bar stool mould
- Restaurant chair mould
- Plastic rattan chair mould
- Plastic table mould
- Plastic furniture mould
- Chair base, chair arm furniture parts mould

Plastic Chair Mould Design



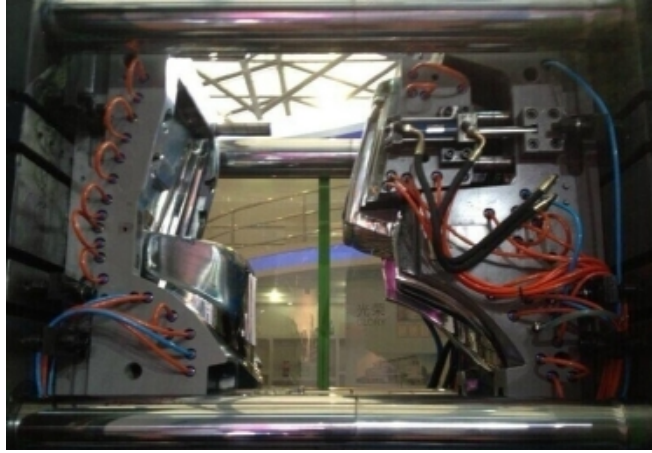
- Professional designers
- The design software:
 - Solidworks 2010
 - Pro-Engineer
 - Unigraphic
 - Autocad 2010(2D:.dwg .dxf .pdf
3D:.igs .step .x_t .prt .sldprt.easm)
- Design with specified cost and time criteria.

Semi-auto or automatic mode ejection;

Automatic ejection by mechanical, hydraulic or pneumatics systems, depending on the design of the ejector system. Interchangeable arm and back inserts if require.



Plastic Chair Mould Trial Test



- Photos, Videos for chair mould trial test
- Customer personal inspection
- Establish time table that allows reasonable time for testing prior to delivery
- Be fine-tuned, if there is a problem can correct it before delivery

Our Machines and Workshop



Our People

(Professional, Skilled and Experienced)

Our Machines

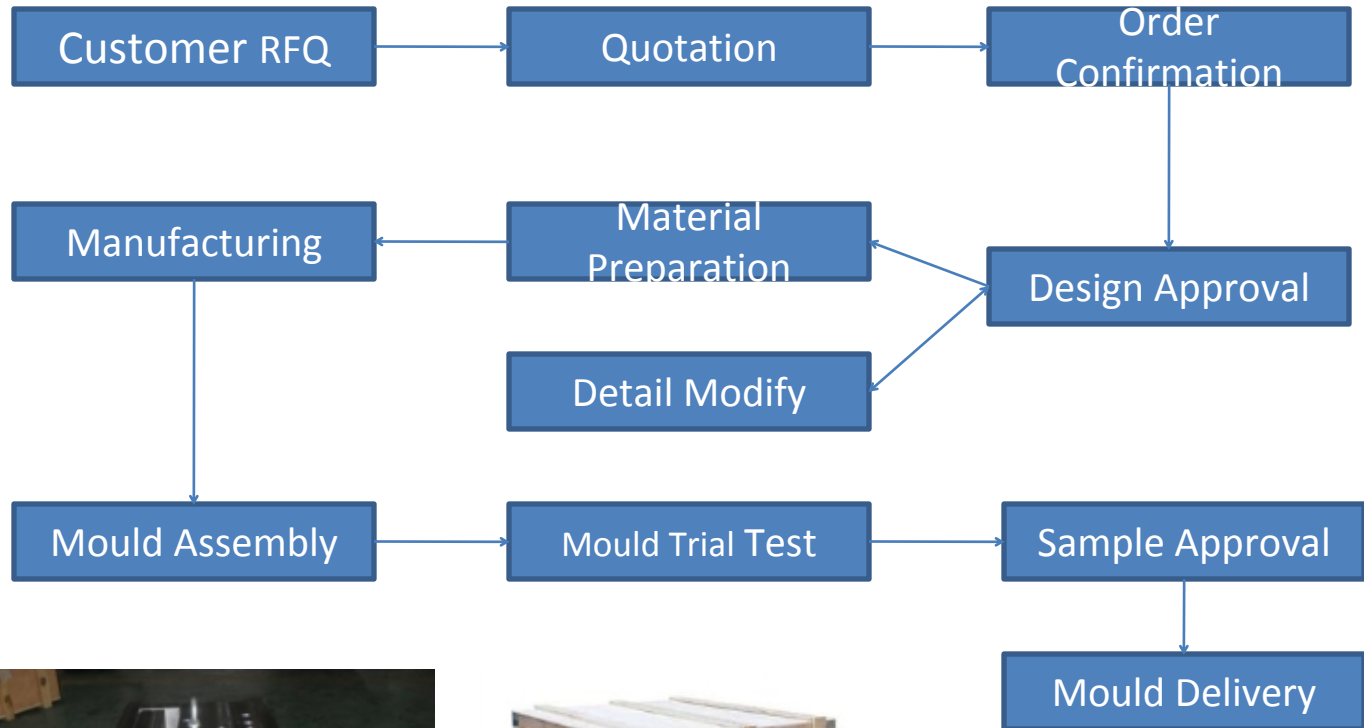
(High speed CNC, NC lathe, EDM, milling, engraving , slow wire cutting, grinding, drilling...)



General Plastic Mould Steel Application

Main Plastic Mould Steel	ASSAB	GSW(DIN)	BOHLER(AISI)	DAIDO (JIS)
Precise Mirror-effect Preharden	718S	2311	P20	NAK55
	(HB290-330)	HRC(31-34)	HRC(31-34)	HRC(37-43)
	718HH	2738	P20+Ni	NAK80
	(HB330-370)	HRC(31-34)	HRC(31-34)	HRC(37-43)
Pre-harden Mirror effect Rust-prevent	S-136H	2316	420	S-STAR
	(HB290-330)	HRC(30-32)	HRC(31-34)	HRC(30-34)
Anneling Mirror-effect Rust-prevent	S-136	2083	420ESR	
	1000-1050	1000-1050	1000-1050	
Die Casting Steel	8407	2344	H13	SKD61
	Anneling	Quenching temp1020	Quenching temp1020	Quenching temp1020

Mould Process Layout



MICON MOULD

Mould design and mould steel are central to the plastic moulds.

We do believe that only good quality moulds with competitive prices would let you make profit in your business.

